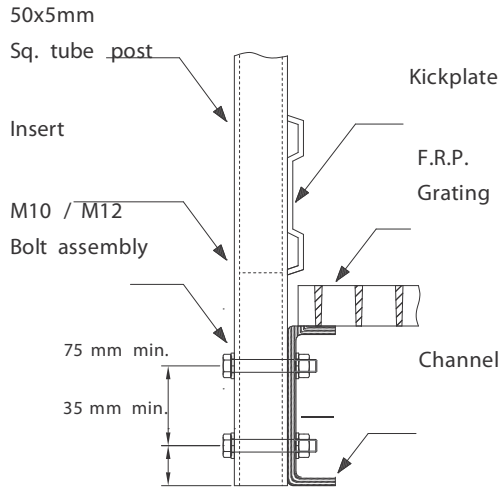
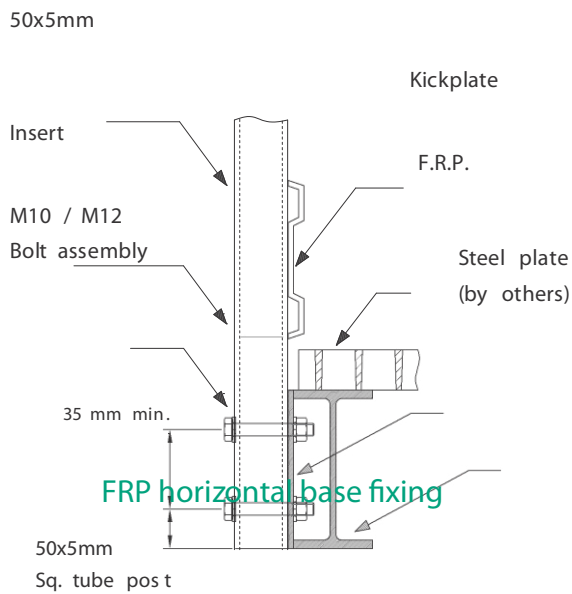


### Channel beam fixing

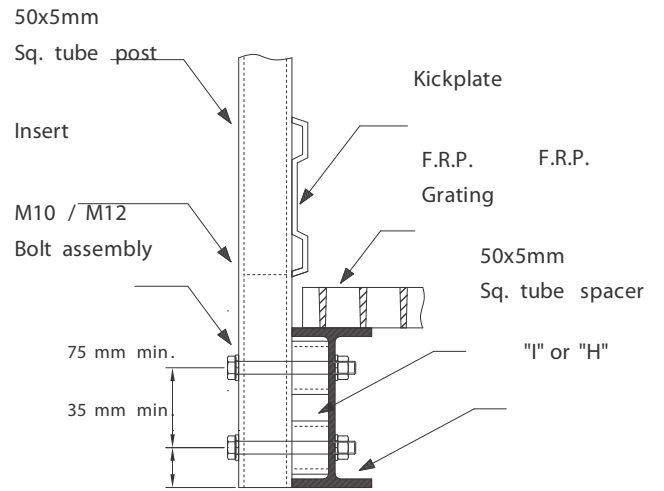


### Flat welded plate fixing

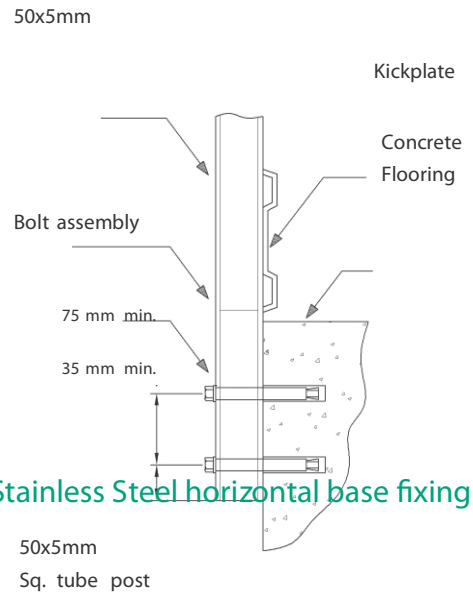


### FRP horizontal base fixing

### I-beam & wide flange beam fixing



### Vertical fixing to concrete



### Stainless Steel horizontal base fixing

